

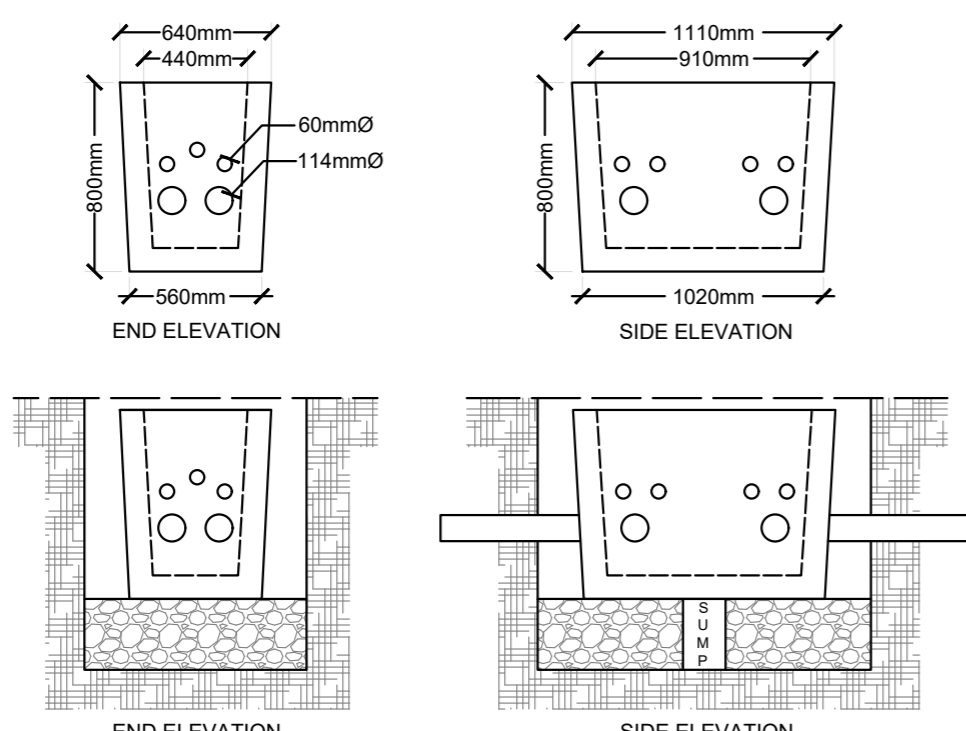
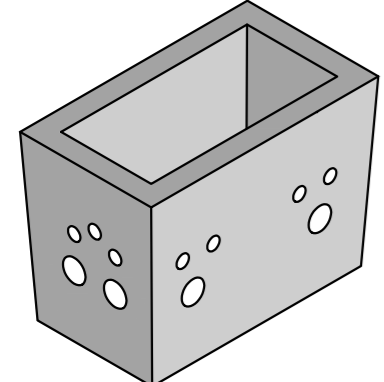
Copyright ©
 No part of this document may be re-produced or transmitted in any form or stored in any retrieval system of any nature without the written permission of the consultant as copyright holder except as agreed for use on the project for which the document was originally written.

General notes:
 This drawing to be read in conjunction with all relevant architectural drawings and specifications.
 This drawing to be read in conjunction with all relevant structural drawings and specifications.
 This drawing to be read in conjunction with all relevant mechanical and electrical drawings and specifications.

All dimensions in millimeters. Do not scale from this drawing, only use figured dimensions only.
 Contractor must verify all dimensions on site prior to installation of services and production of working drawings.

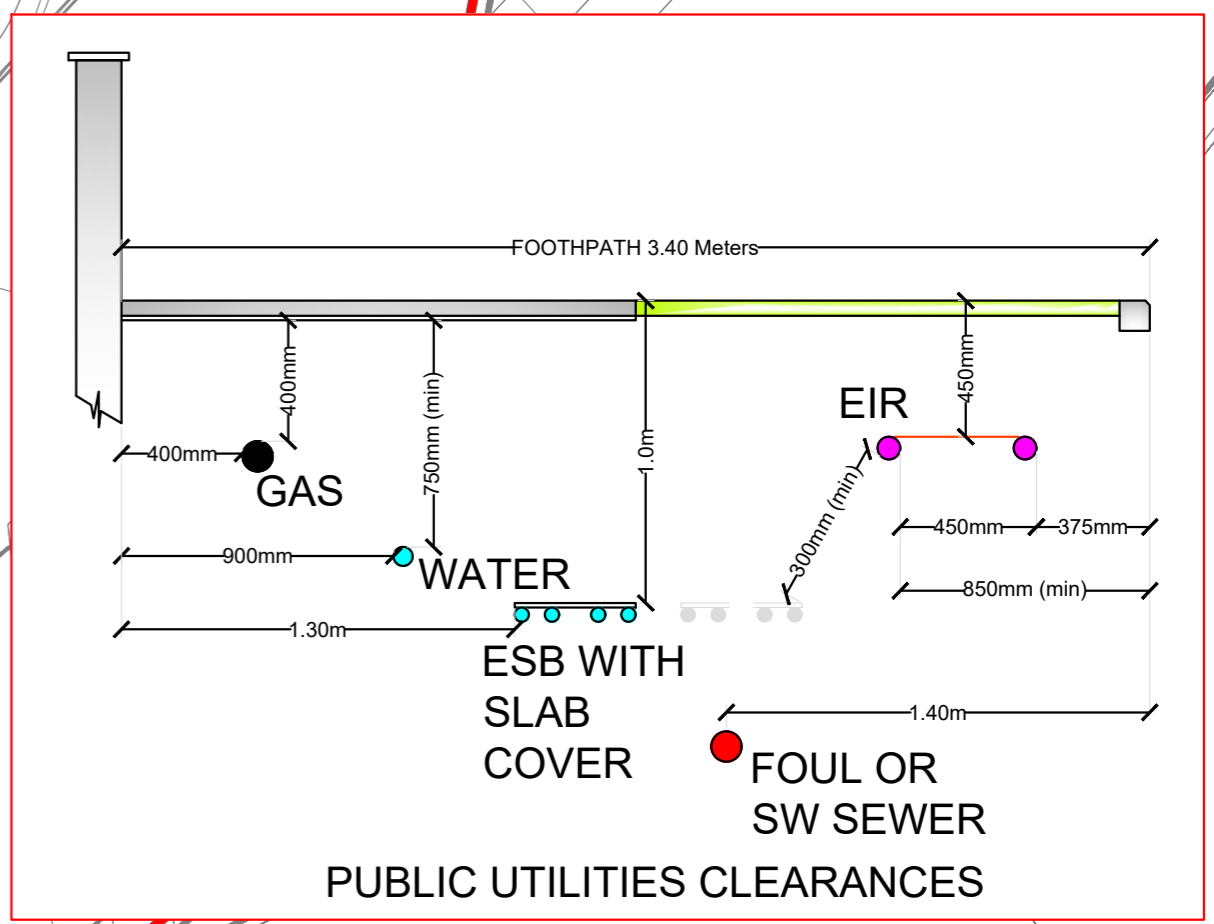
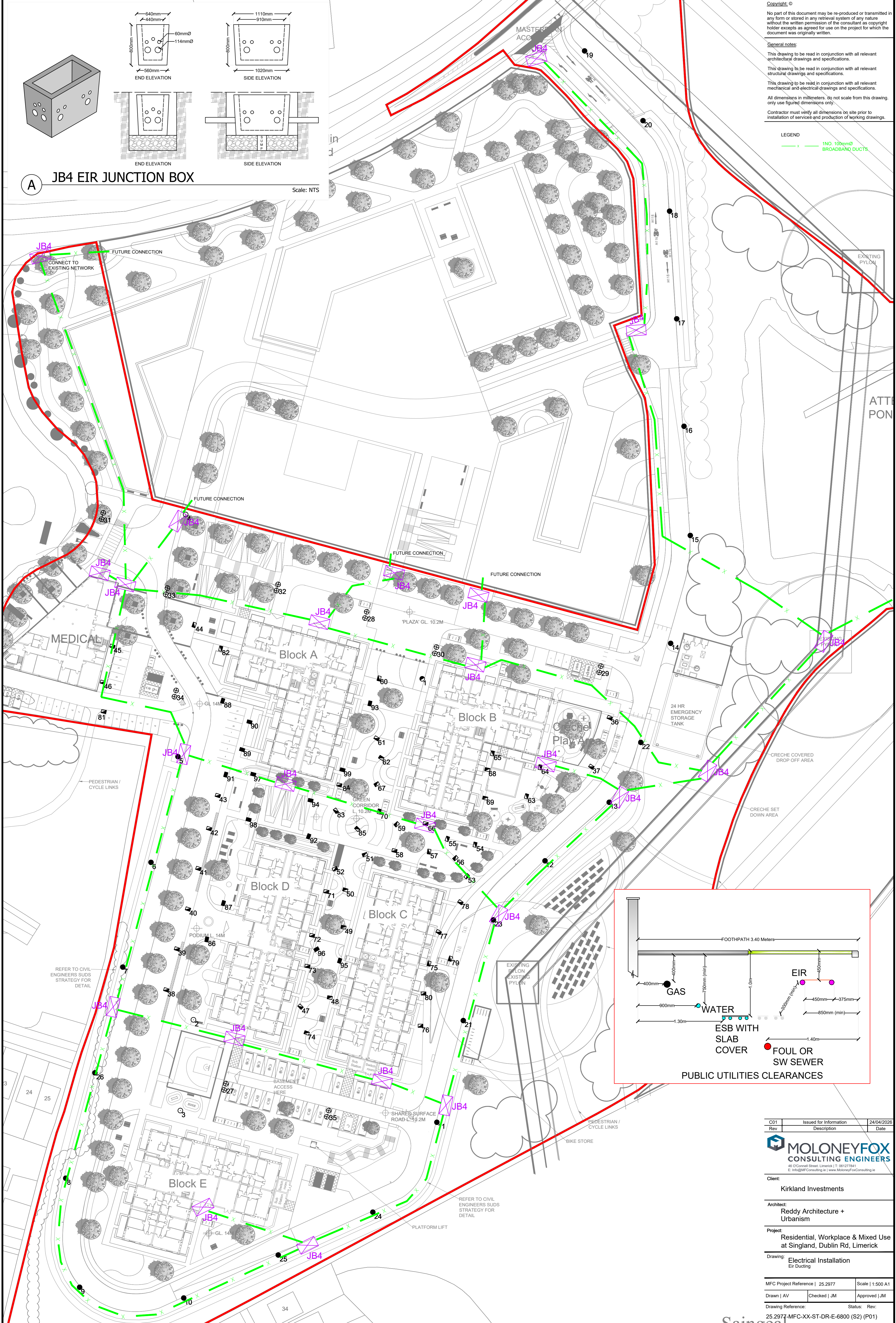
LEGEND

— 1 NO. 100mmØ BROADBAND DUCTS



A JB4 EIR JUNCTION BOX

Scale: NTS



C01	Issued for Information	24/04/2026
Rev	Description	Date



Client:	Kirkland Investments	
Architect:	Reddy Architecture + Urbanism	
Project:	Residential, Workplace & Mixed Use at Singland, Dublin Rd, Limerick	
Drawing:	Electrical Installation Eir Ducting	
MFC Project Reference	25.2977	Scale 1:500 A1
Drawn	AV	Checked JM
Approved	JIM	
Drawing Reference:	25.2977-MFC-XX-ST-DR-E-6800 (S2) (P01)	Status: Rev: